



# POWER DISTRIBUTION BOX

## PLASTIC POWER BOX

Electricity is the fundamental element and source to the lights. Stable and reliable distribution of power plays an important role in a successful lighting performance. Kupo's plastic power distribution is constructed of PA material which offers excellent insulation, impact-resistance and flame-retarded features. With in-house bracket structure, it can be diversely attached to the truss or tube with combination of clamps. Other than rigid PA material, this box is also fabricated with quality connectors, and assembled through experienced craftsmanship, which ensures the durability and reliability.



### Features:

1. Dual handle slots allow flexible movement of couplers.
2. Central aperture on handle for single coupler provides attachment to truss easily.
3. Rectangle and less bulky shape accesses to truss with no efforts.
4. Perforation slots for the convenience of CEE and Schuko positioning.
5. Black CEE and Schuko meet the low-key and professional requirement.
6. Blue lid of CEE connector gives the clear identification of AC/220Vac 16 Amp.
7. Embedded screw nut gives great convenience protection while assembling the box by screws.



Embedded screw nut gives protection while assembling the box by screws.



Dual handle slots allow flexible movement of couplers.

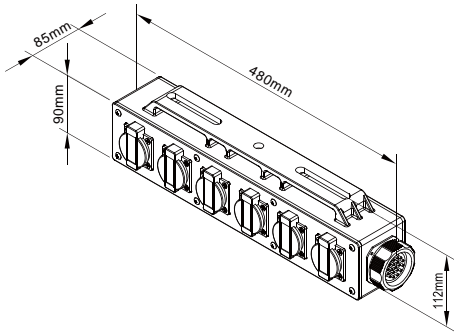


Perforation slots for easily positioning.

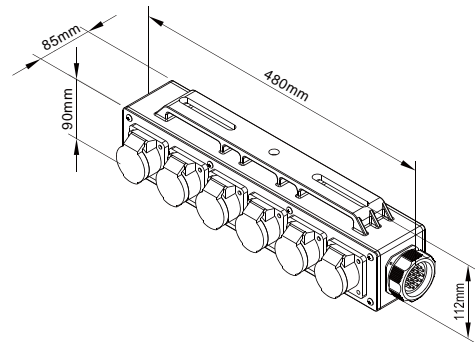


# POWER DISTRIBUTION BOX

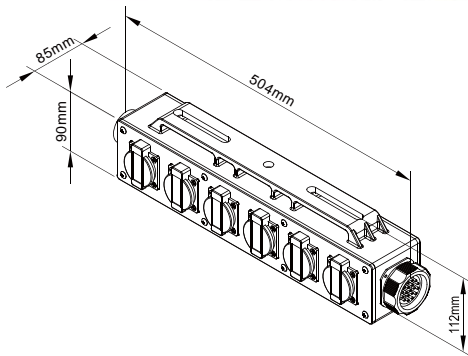
**PDB-P003** 6 x Schuko panel female  
1 x 19-pin panel male



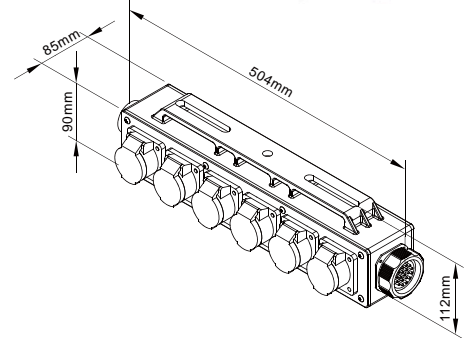
**PDB-P004** 6 x CEE 16A panel female  
1 x 19-pin panel male



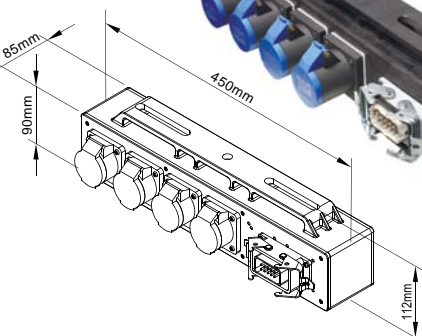
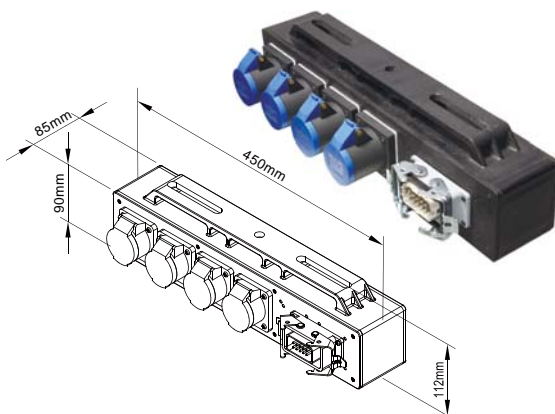
**PDB-P003D** 6 x Schuko panel female  
1 x 19-pin panel male  
1 x 19-pin panel female



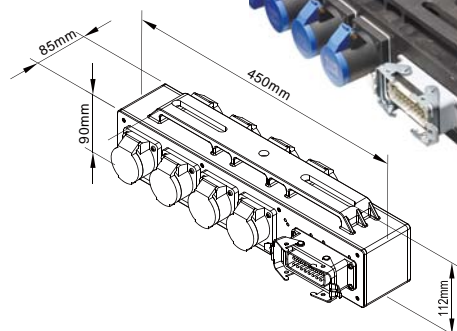
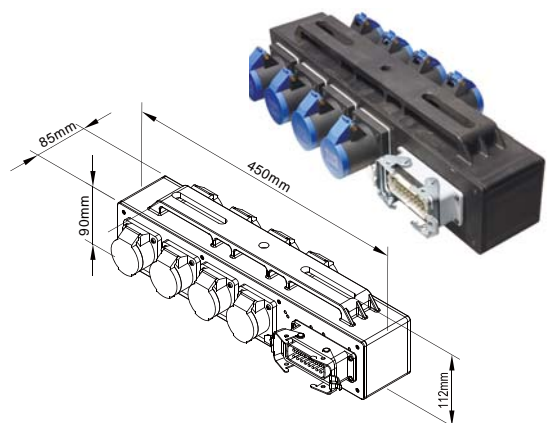
**PDB-P004D** 6 x CEE 16A panel female  
1 x 19-pin panel male  
1 x 19-pin panel female



**PDB-P005S** 4 x CEE 16A panel female  
1 x Multi-pole 10-pin panel male



**PDB-P005** 8 x CEE 16A panel female  
1 x Multi-pole 16-pin panel male





# POWER DISTRIBUTION BOX

## PDB-P003-KDK

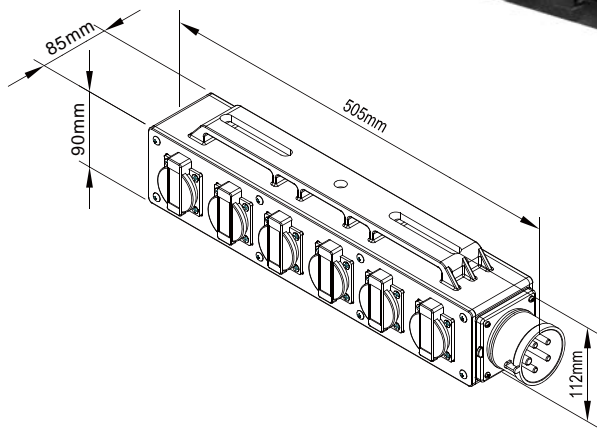
6 x Schuko panel female (output)

1 x 32A 5P three phase CEE panel male (input)

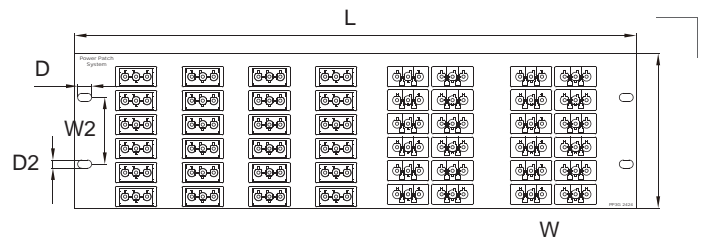
L1->channel 1 &2

L2->channel 3&4

L3->channel 5&6



## HP24/24, Hot Patch Panel



L: 480 mm

W: 132 mm

D: 12 mm

D2: 7 mm

W2: 57 mm



**PC-50**  
Patch cord

- Design to mount to standard 19" rack or cabinet
- Sturdy metal plate with matt black painting
- Provided with male & female mounted snap-in sockets
- Two outputs per dimmer channel, 12 channels for each panel
- PC-50 (patch cord 50cm) or PC-100 (patch cord 100cm) are optional



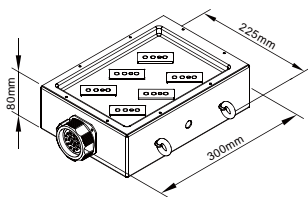
# POWER DISTRIBUTION BOX

## STEEL POWER BOX

KUPO power distribution boxes are made of 1.2mm thickness steel sheet. The internal wiring consists of 1.5mmsq (16AWG) silicon cable as standard. The sinking front panel for a better protection of each connector. The standard 2 hanging rings makes rigging easier on truss. Each side with an extra clamp hanging hole to fit limited space. The followings are the range of power distribution boxes; other variations of power distribution boxes are available upon requested.

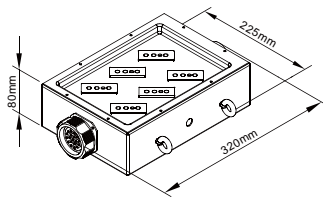
### PDB-001

6 x Stage 3-pin panel female  
1 x 19-pin panel male



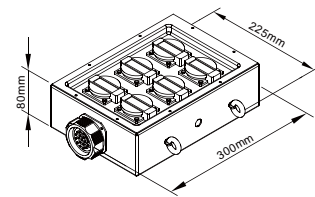
### PDB-001D

6 x Stage 3-pin panel female  
1 x 19-pin panel male  
1 x 19-pin panel female



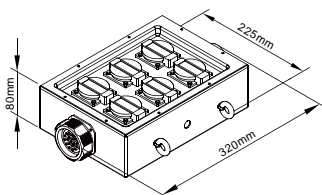
### PDB-003

6 x Schuko panel female  
1 x 19-pin panel male



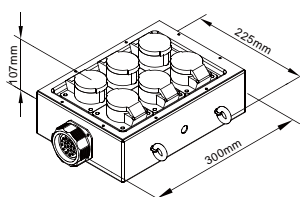
### PDB-003D

6 x Schuko panel female  
1 x 19-pin panel male  
1 x 19-pin panel female



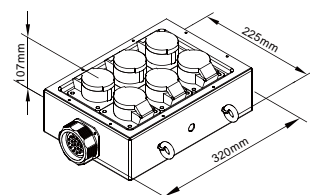
### PDB-004

6 x CEE 16A panel female  
1 x 19-pin panel male



### PDB-004D

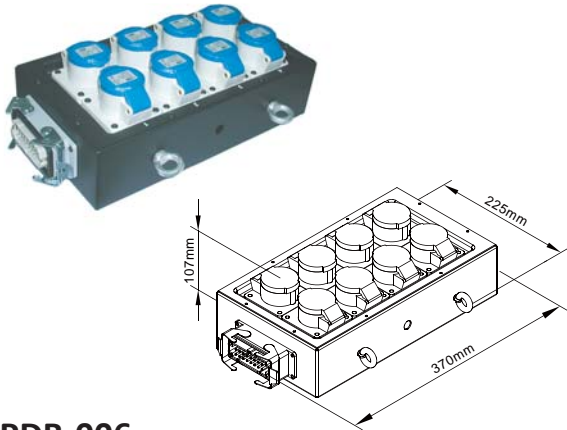
6 x CEE 16A panel female  
1 x 19-pin panel male  
1 x 19-pin panel female



# POWER DISTRIBUTION BOX

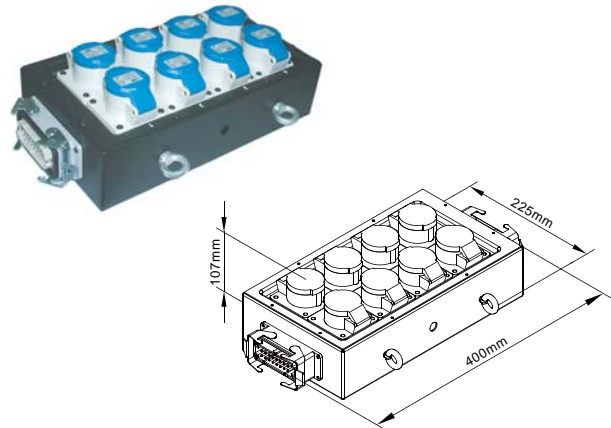
## PDB-005

8 x CEE 16A panel female  
1 x Multi- pole 16-pin panel male



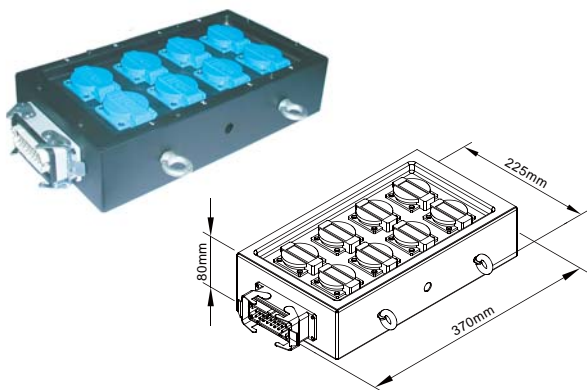
## PDB-005D

8 x CEE 16A panel female  
1 x Multi- pole 16-pin panel male  
1 x Multi- pole 16-pin panel female



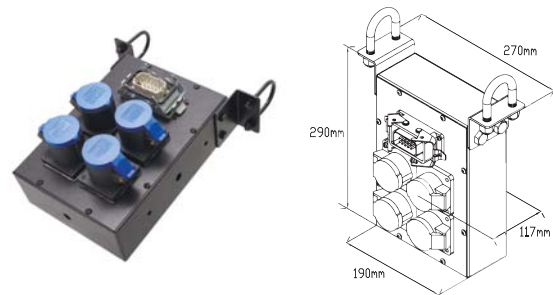
## PDB-006

8 x Schuko panel female  
1 x Multi- pole 16-pin panel male



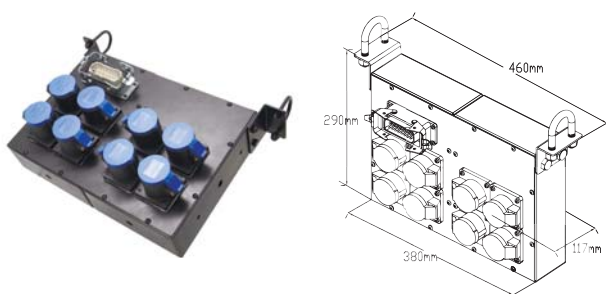
## PDB-CH01 POWER BOX

4 x CEE 16A panel female  
1 x Multi-pole 10-pin panel male  
2 x Hanging bracket for 1.5" tube  
(bracket for other size of tube is available)



## PDB-CH02 POWER BOX

8 x CEE 16A panel female  
1 x Multi-pole 16-pin panel male  
2 x Hanging bracket for 1.5" tube  
(bracket for other size of tube is available)



**CUSTOM DESIGN AVAILABLE**