



# HALF COUPLER

## HALF COUPLER

Lightweight & low profile KUPO professional couplers are constructed from high tensile aluminum extrusion and have been developed for installations where load capacities of up to 500kg are required. The KUPO professional couplers combine strength and durability with a high degree of safety. The couplers are designed to fit tubes with diameter between 48mm-51mm. Some have been tested and certified with TUV approval for a safe working load of 500kg. The standard finish is polished. Custom color or logo is upon request.



"CAPTIVE", on top of thread bolt to avoid wing nut falling off the clamp in the air

Kupo half type coupler (KCP-831) is approved by TUV Product Service listed with a safety working load at 500kg

Designed for safe connection in trussing system

Constructed from a high tensile-strength 6061 aluminum-extrusion

Standard in polish finished. Black is available to specify order

Attach securely to tubes with outside Dia.48-51mm

Nylon lock nut & bolt



# HALF COUPLER



**KCP-830**  
**KCP-830B**      **Sliver**  
**Black**

## Slim Type Half Coupler

SWL	300 kg
B1	39 mm
B2	73.5 mm
B3	10.5 mm
B4	50 mm
B5	∅ 48-51 mm
W	30 mm
Weight	0.3 kg
S1	M10 x 40 mm



**KCP-831**  
**KCP-831B**      **Sliver**  
**Black**

## Half Coupler

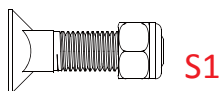
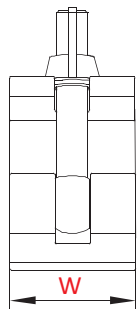
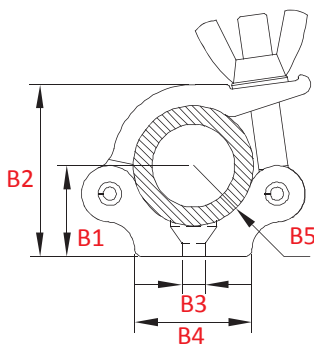
SWL	500 kg
B1	39 mm
B2	73.5 mm
B3	10.5 mm
B4	50 mm
B5	∅ 48-51 mm
W	50 mm
Weight	0.52 kg
S2	M10 x 35 mm



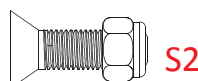
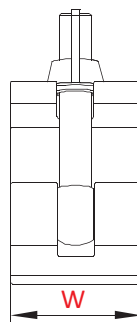
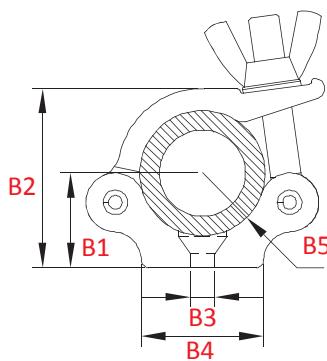
**KCP-831-T**  
**KCP-831B-T**      **Sliver**  
**Black**

## T Handle Half Coupler

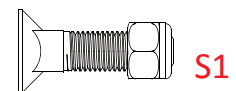
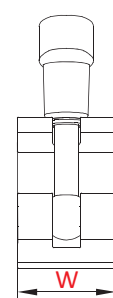
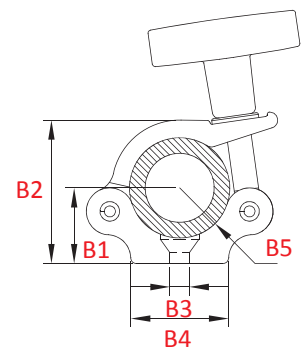
SWL	500 kg
B1	39 mm
B2	73.5 mm
B3	10.5 mm
B4	50 mm
B5	∅ 48-51 mm
W	50 mm
Weight	0.58 kg
S1	M10 x 40 mm



Square counter sunk



Counter sunk



Square counter sunk



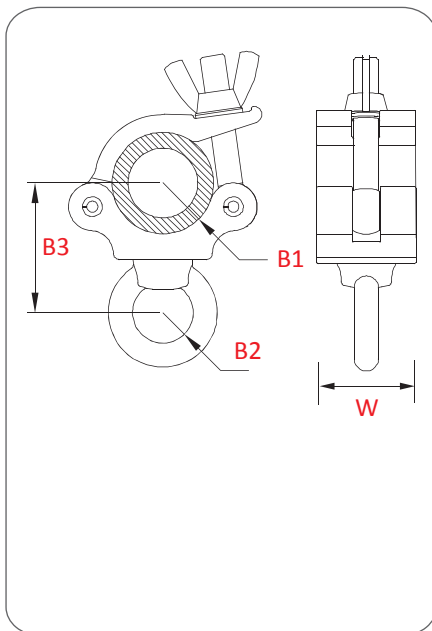
# HALF COUPLER



**KCP-833** Sliver  
**KCP-833B** Black

## Eye Ring Coupler

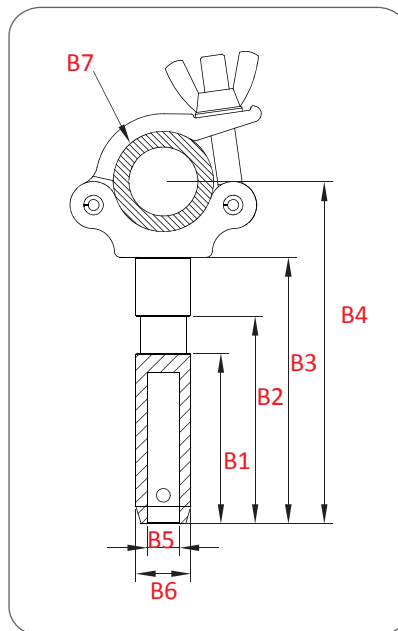
SWL	340 kg
B1	Ø 48-51 mm
B2	Ø 30 mm
B3	Ø 67 mm
W	50 mm
Weight	0.65 kg
	M12 Eye Ring



**KCP-834** Sliver

## Stud Coupler

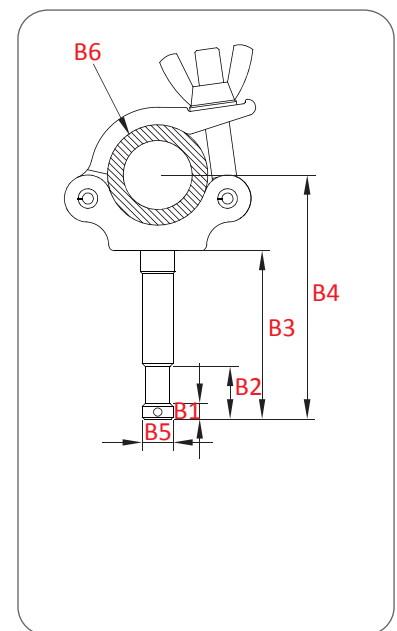
SWL	200 kg
B1	87 mm
B2	106 mm
B3	136 mm
B4	175 mm
B5	Ø 16 mm
B6	Ø 28 mm
B7	Ø 48-51 mm
Weight	0.75 kg



**KCP-836** Sliver

## Mighty Coupler

SWL	100 kg
B1	8 mm
B2	27 mm
B3	86 mm
B4	125 mm
B5	Ø 16 mm
B6	Ø 48-51 mm
Weight	0.6 kg





# MIGHTY COUPLER



**KCP-850** Sliver  
**KCP-850B** Black



**KCP-851** Sliver  
**KCP-851B** Black



**KCP-857** Sliver

## Slim Type Swivel Coupler

SWL	300 kg
B1	44 mm
B2	83 mm
B3	∅ 10 mm
B4	52 mm
B5	∅ 51-60 mm
W	30 mm
Weight	0.32 kg
S1	M10 x 40 mm

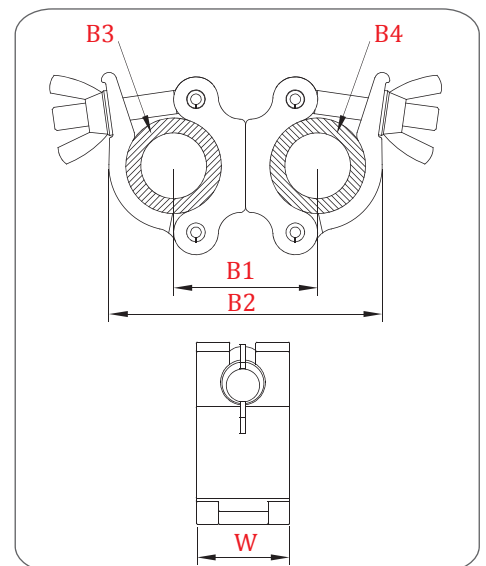
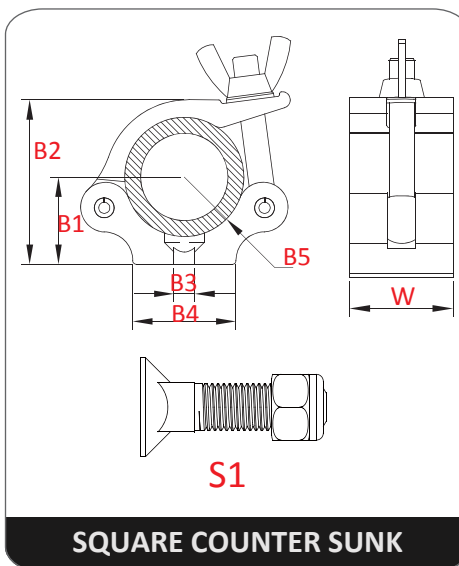
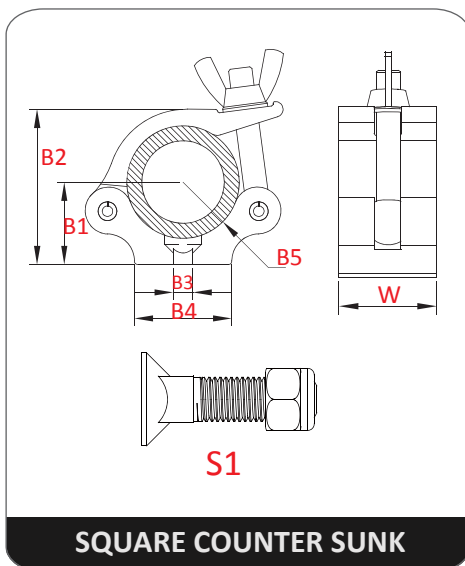
## Mighty Coupler

SWL	500 kg
B1	78 mm
B2	147 mm
B3	∅ 10 mm
B4	52 mm
B5	∅ 51-60 mm
W	50 mm
Weight	1.2 kg
S1	M10 x 40 mm

## Mighty Half Swivel Coupler

SWL	500 kg
B1	83 mm
B2	156 mm
B3	∅ 51-60 mm
B4	∅ 48-51 mm
W	50 mm
Weight	1.25 kg

[ For 60mm to 2" truss system ]



# SWIVEL COUPLER



KCP-820

Sliver



KCP-832

Sliver



KCP-873

Sliver

## Slim Type Swivel Coupler

SWL	300 kg
B1	78 mm
B2	147 mm
B3	Ø 48-51 mm
W	30 mm
Weight	0.7 kg

## Swivel Coupler

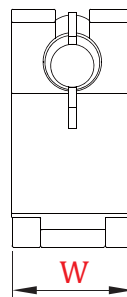
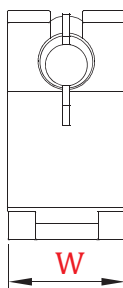
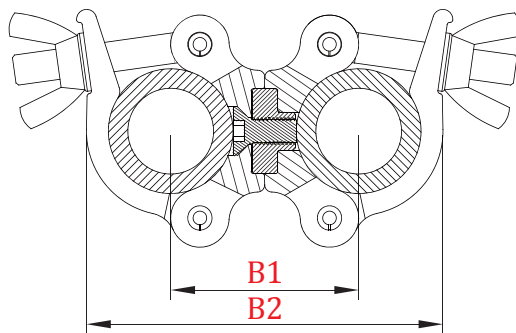
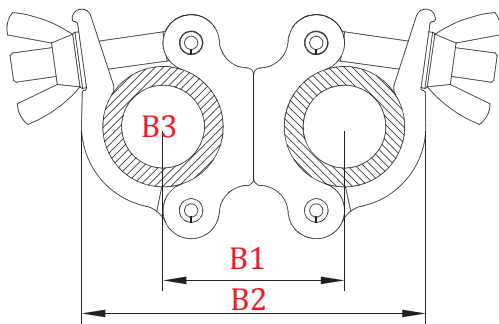
SWL	500 kg
B1	78 mm
B2	147 mm
B3	Ø 48-51 mm
W	50 mm
Weight	1.2 kg

## 45-Degree Coupler

SWL	500 kg
B1	78 mm
B2	147 mm
B3	Ø 48-51 mm
W	50 mm

- Allow a full 360 degree of movement
- Drift pin supplied for fixing in 90 degree configuration

- Can fix in every 45 degree without drift pin
- To release or tighten, use hex tool to adjust the position



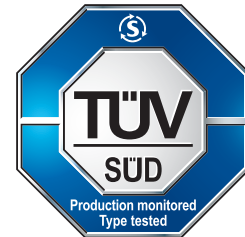


# HANDCUFF CLAMP

## HANDCUFF COUPLER

Handcuff Clamp is constructed from high tensile 6061 aluminum extrusion. It is one of the most popular rigging hardware in the industry. Thanks to triggering mechanical design, this clamp is made to help the person rig heavy luminaries with less effort and saving much working time. TUV certified for both standard and slim profiles. Work safely.

Save time and effort in rigging fixture



“CAPTIVE” on top of thread to prevent wing nut falling off the clamp in the air

TUV certified

Standard type for SWL 200 kgs  
Slim type for SWL 100 kgs

Design for Dia 48-51 mm tube system

Polish and black finish are available

Double level's counter sunk for M10 or M12 hex. head bolt





# HANDCUFF CLAMP



**KCP-828**  
**KCP-828B**

**Sliver**  
**Black**



**KCP-838**  
**KCP-838B**

**Sliver**  
**Black**



**KCP-838-T**  
**KCP-838B-T**

**Sliver**  
**Black**

## Slim Handcuff Clamp

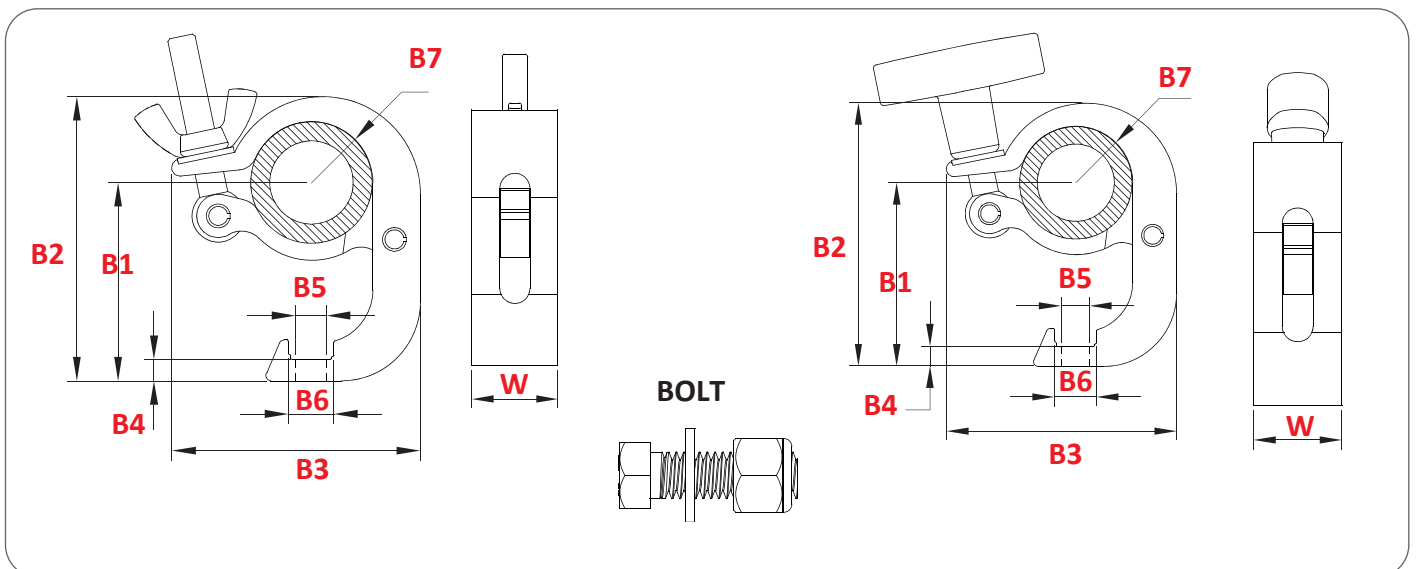
SWL	100 kg
B1	85 mm
B2	120 mm
B3	105 mm
B4	6 mm
B5	∅ 13 mm
B6	19 mm
B7	∅ 48-51 mm
W	25 mm
Weight	0.45 kg
BOLT	M10 X 38 mm

## Handcuff clamp

SWL	200 kg
B1	85 mm
B2	120 mm
B3	105 mm
B4	6 mm
B5	∅ 13 mm
B6	19 mm
B7	∅ 48-51 mm
W	40 mm
Weight	0.65 kg
BOLT	M12 X 38 mm

## T-Handle Type

SWL	200 kg
B1	85 mm
B2	120 mm
B3	105 mm
B4	6 mm
B5	∅ 13 mm
B6	19 mm
B7	∅ 48-51 mm
W	40 mm
Weight	0.85 kg
BOLT	M12 X 38 mm





# HANDCUFF CLAMP



**KCP-839 Sliver**



**KCP-840P Sliver**



**KS-089**

## Handcuff with Stud

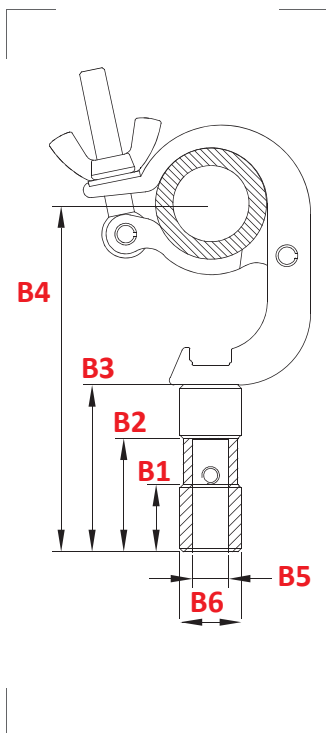
SWL	200 kg
B1	31 mm
B2	52 mm
B3	76 mm
B4	162 mm
B5	∅ 16 mm
B6	∅ 28 mm

## Handcuff with Quick Receiver

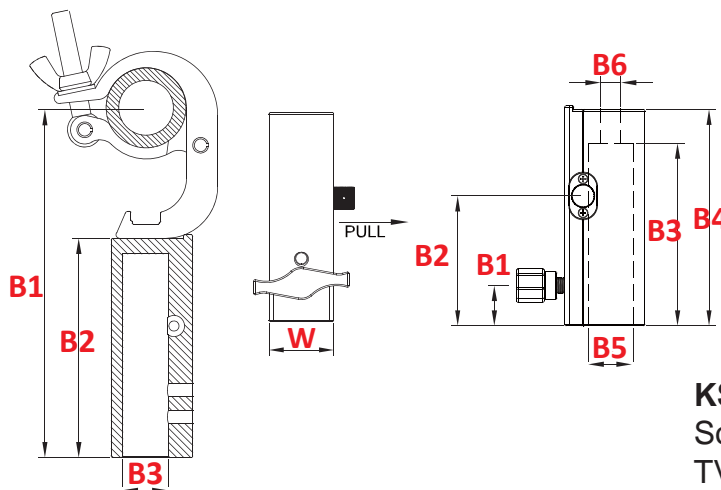
SWL	200 kg
B1	225 mm
B2	140 mm
B3	29 mm
Weight	1.05 kg

## Universal TV Quick Receiver

B1	26 mm
B2	83 mm
B3	118 mm
B4	140 mm
B5	∅ 29 mm
B6	13 mm
W	43 mm



- TV quick receiver accepts captive 28mm DIN or Euro spigot
- Easily assemble with clamps through long hex or wrench socket driver
- Allowing feature 360° rotation



**KS-034 (optional)**  
Solid steel 28mm  
TV spigot tapped for  
M10 screw with washer.





# ARCH COUPLER

Arch coupler is constructed from aluminum gravity die casting, featuring a jaw opening for wider range of tube system from 38mm to 51mm. The handle of arch coupler is situated in the easily accessible horizontal position, leaving user to fasten the coupler without across the truss brace. Ergonomic big handle protects user's palm from the obstructive bolt. Double countersunk design for alternative usage of M10 or M12 hex bolt. It is TUV certified and rated SWL 150 kg.



## Arch Coupler

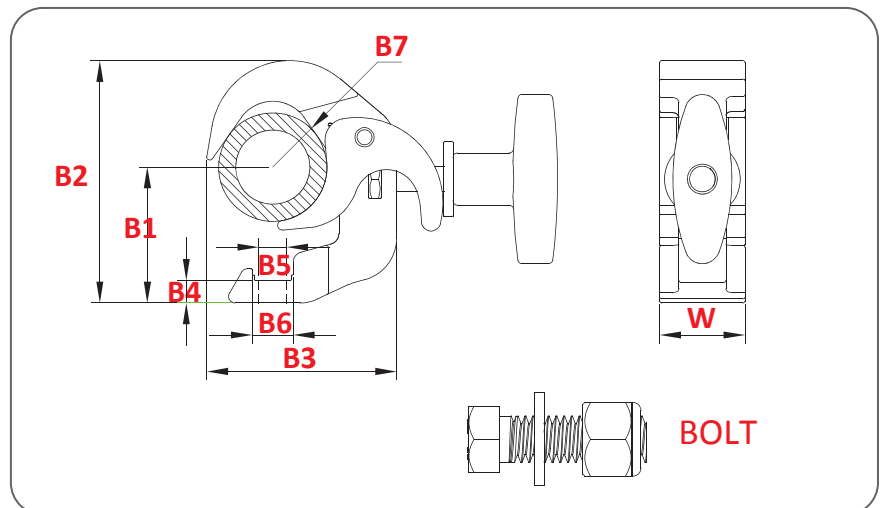
SWL	150 kg
B1	63 mm
B2	113 mm
B3	80 mm
B4	10 mm
B5	∅ 13 mm
B6	19 mm
B7	∅ 38 - 51 mm
W	40 mm
Weight	0.68 kg
BOLT	M12 x 38



**KCP-810**



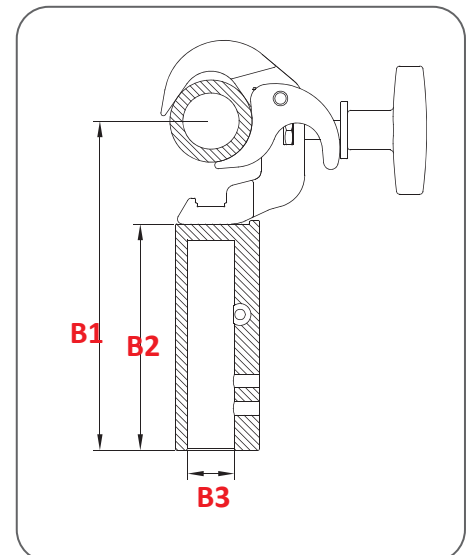
**KCP-810B**



**KCP-841**

## Arch Quick TV Receiver

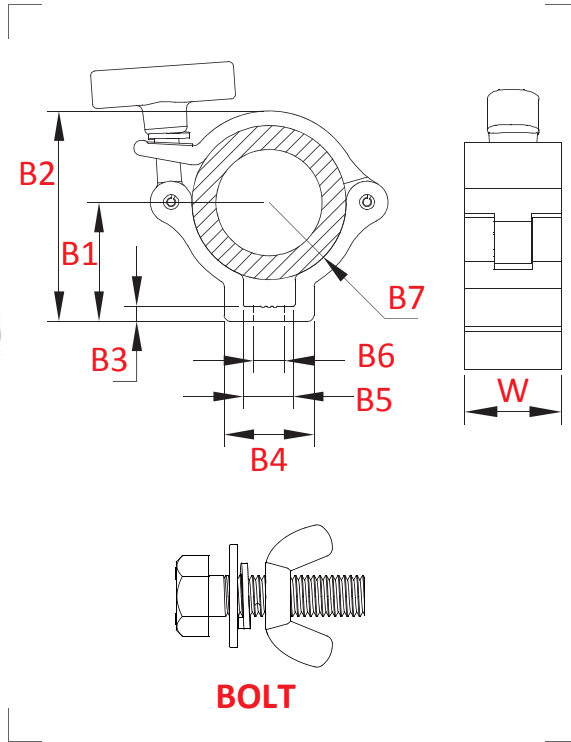
SWL	150 kg
B1	203 mm
B2	140 mm
B3	29 mm
Weight	1.38 kg





# BURGER COUPLER

Burger coupler is made from high tensile aluminium extrusion. The slim profile makes it an ideal alternative option for rigging light weight fixture. T-shape handle provides comfortable utility to user. TUV certified and rated SWL 75KG.



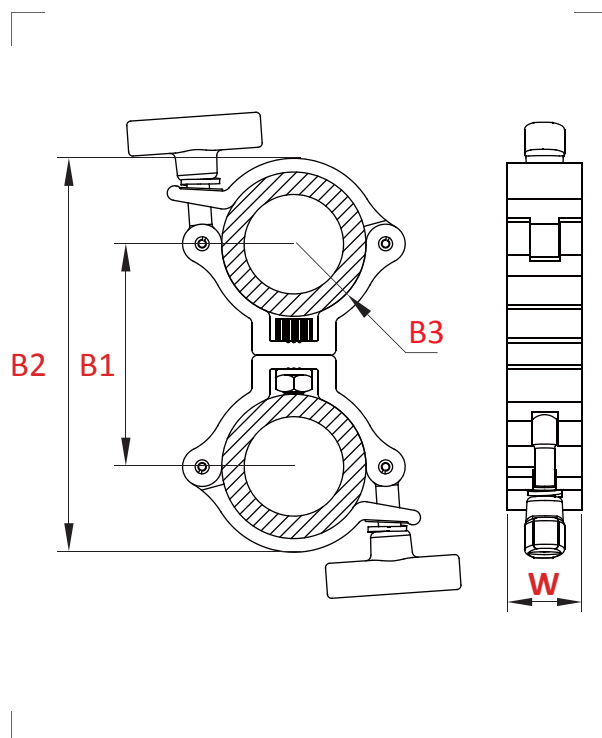
- KCP-901 Sliver
- KCP-901B Black

**BOLT**

## Burger Coupler

SWL	75 kg
B1	38.6 mm
B2	69 mm
B3	5 mm
B4	30 mm
B5	17.2 mm
B6	10.5 mm
B7	∅ 48-51 mm
W	30 mm
Weight	0.20 kg
BOLT	M10x30 mm

## Swivel type



- KCP-902 Sliver
- KCP-902B Black

## Burger Swivel Coupler

SWL	75 kg
B1	80 mm
B2	140 mm
B3	∅ 48-51 mm
W	30 mm
Weight	0.4 kg



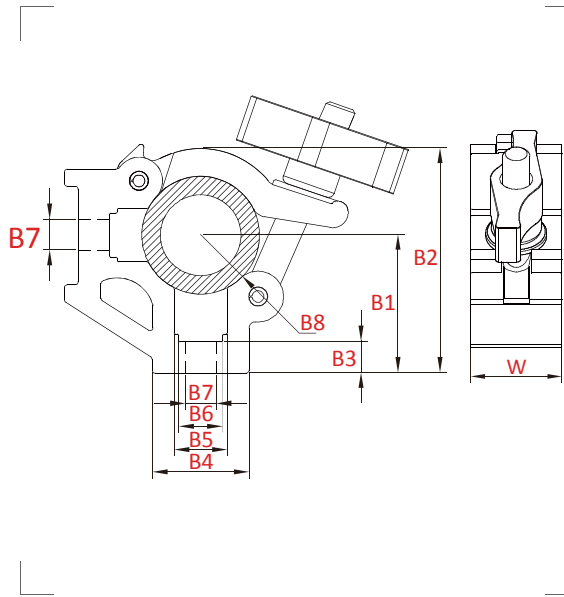
# NUGGET COUPLER

Nugget coupler is designed for 1.25"~1.5" (32mm to 38mm) tube system. Aluminum-extruded construction makes it a tiny but sturdy rigging hardware. Sitting area is double level's countersunk for M10 or 3/8 hex bolt. Unique windows for safety wire access through. Hook strut of top opening section limits the open pace that offers assistance to rig, and two fitting bases let it become a multi-function coupler. TUV certified for single coupler and rated SWL 120KG.



**KCP-860 Sliver**

**KCP-860B Black**



## Nugget Coupler

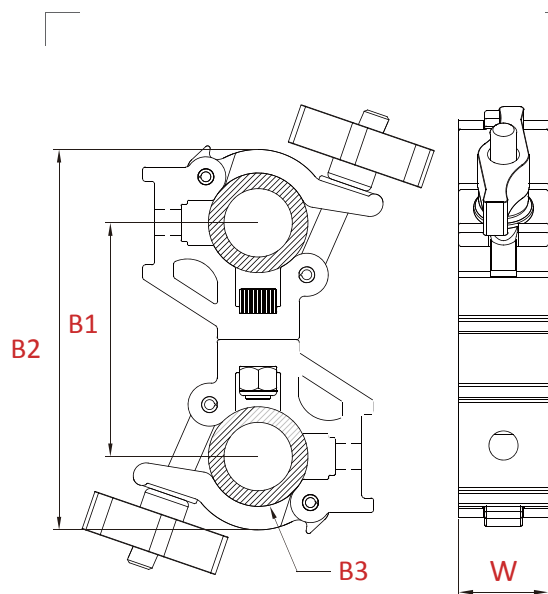
SWL	120 kg
B1	45 mm
B2	73 mm
B3	10 mm
B4	31 mm
B5	17 mm
B6	14 mm
B7	∅ 10 mm
B8	∅ 32-38 mm
W	31.5 mm
BOLT	M10x30 mm

## Swivel type



**KCP-862 Sliver**

**KCP-862B Black**



## Nugget Swivel Coupler

SWL	120 kg
B1	90 mm
B2	146 mm
B3	∅ 32-38 mm
W	31.5 mm



# TRUSS COUPLER

Truss coupler is equipped with two half couplers for gripping regular ladder truss, triangular and square truss system. Center-to-center distance can be adjusted to fit the truss physically. Dia. 28mm spigot provides a firm fixing beneath the truss structure while M16 eye ring renders a secure suspension point for lifting. With truss couplers, setting a mobile stage or lifting a truss system becomes easily and fast.



**KCP-835V**

### Ladder Truss Coupler

SWL	200 kg
B1	Ø 48-51 mm
B2	75 mm
B3	Ø 28 mm
Centers	195 - 395 mm



**KCP-835L**

### Lifting Truss Coupler

SWL	500 kg
B1	Ø 48-51 mm
B2	86 mm
B3	76 mm
B4	Ø 35 mm
Centers	197 - 402 mm
Eye Ring	M16

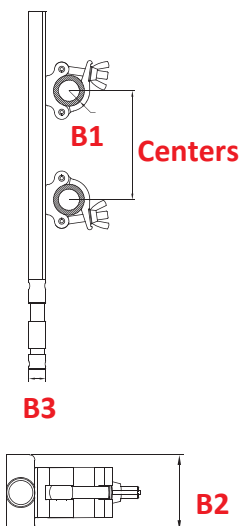


**KCP-835**

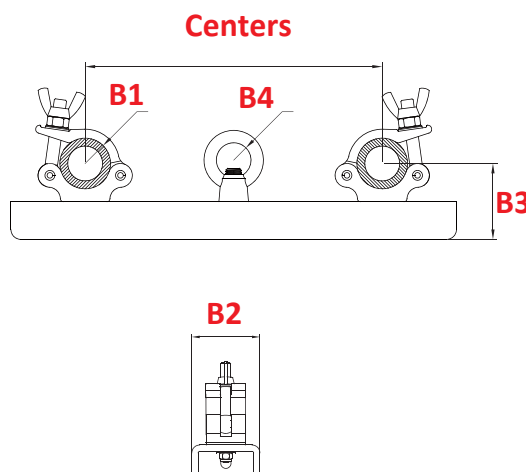
### Truss Coupler

SWL	200 kg
B1	Ø 48-51 mm
B2	76 mm
B3	76 mm
B4	114 mm
B5	Ø 28 mm
Centers	197 - 402 mm

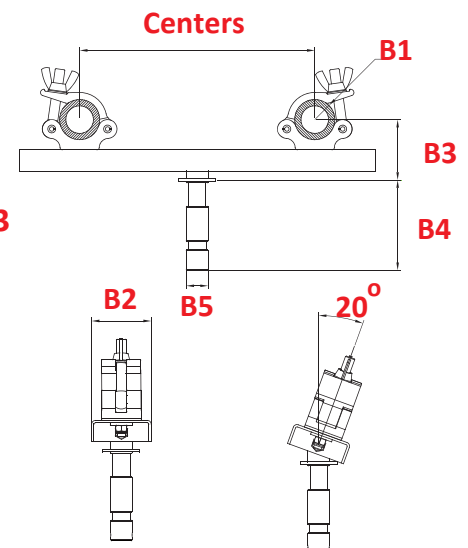
**KCP-835V**



**KCP-835L**



**KCP-835**





# SPECIAL COUPLER

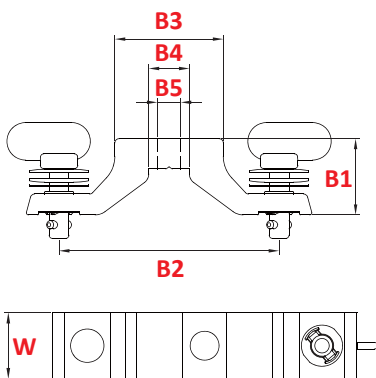
Moving light bracket is feasible with Martin moving lights. It is equipped with two 1/4 turn fasteners. The central hole fits M12 or 1/2" bolt.



**KCP-872 Sliver**

## Moving Light Bracket

SWL	75 kg
B1	36.5 mm
B2	105.5 mm
B3	52 mm
B4	19.5 mm
B5	13 mm
W	30 mm



Arm coupler is firmly welded with 48mm aluminum alloy tube, creating a flexible rigging point to fixtures.

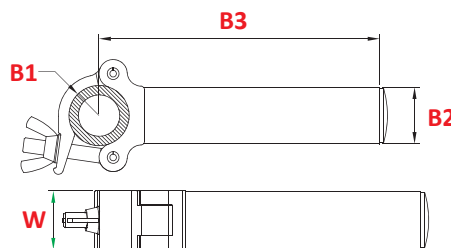


**KCP-801 Tube length: 250 mm**

**KCP-802 Tube length: 500 mm**

## Arm Coupler

SWL	KCP-801	80 kg
SWL	KCP-802	40 kg
B1		∅ 48-51 mm
B2		∅ 48 mm
B3	KCP-801	289 mm
B3	KCP-802	539 mm
W		50 mm



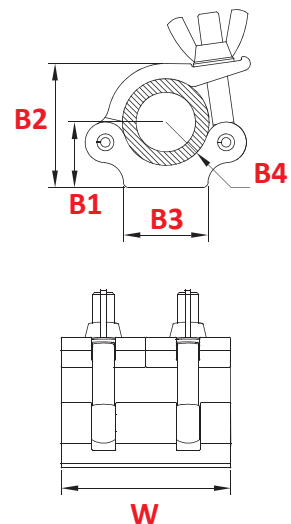
Tube/Barrel joiner is made for providing quick connection for two tubes together end to end.



**KCP-847 Sliver**

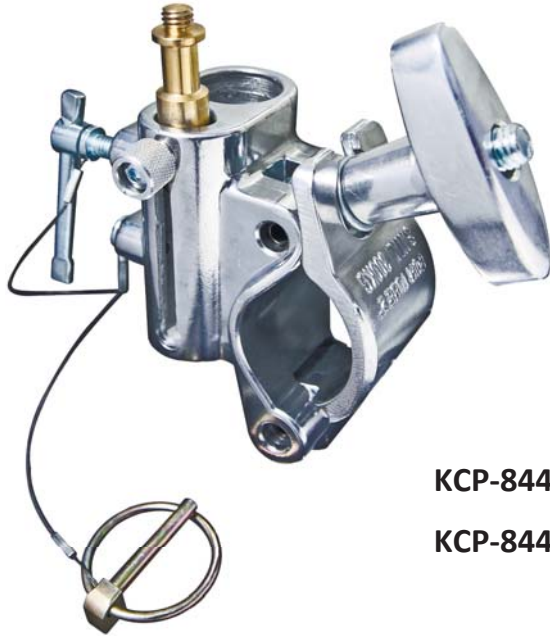
## Barrel Joiner

SWL	300 kg
B1	39 mm
B2	73 mm
B3	50 mm
B4	∅ 48-51 mm
W	100 mm



# TV COUPLER

TV coupler is made to hook up the lighting equipment coming with a 16mm receiver or 28 mm spigot. It is equipped with a "safety linchpin", a security device allowing user to preset it in the pin hole of 28 mm spigot before completely tightening and keeps coupler from unexpected drop-off.

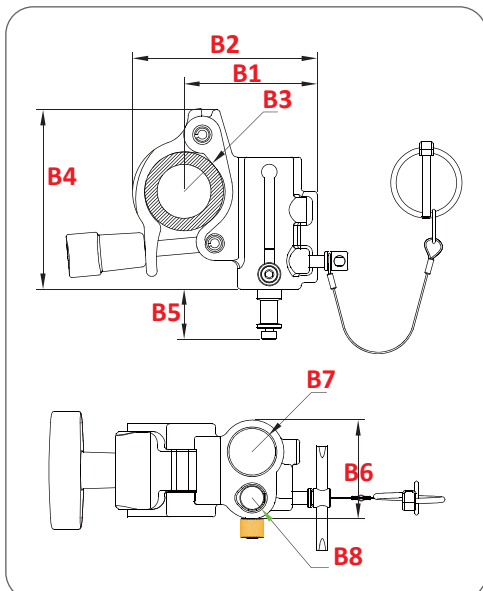


**KCP-844 Sliver**

**KCP-844B Black**

## Features:

1. Constructed by rugged aluminum die-casting with TUV Approval.
2. With a 28 mm junior socket for luminaire or telescopic hanger.
3. The 3/8" threaded 16 mm baby stud is also available and alternated with 16 mm baby socket by spring latch bolt for lightweight luminaire and accessories.
4. Hook strut of top opening section limits the open pace that offers assistance to rig.
5. The safety wire is bult with the clamp to ensure this essential safety aid is always on hand.
6. Linchpin is attached with the safety wire to keep it safety for pan adjustment of luminaire while the knob of clamp is loosen.



## TV Coupler

SWL	300 kg
B1	86 mm
B2	119 mm
B3	Ø 48-51 mm
B4	115 mm
B5	32 mm
B6	64 mm
B7	Ø 28 mm
B8	Ø 16 mm
Weight	0.90 kg

# DISPLAY COUPLER

## DISPLAY COUPLER



**DISPLAY COUPLER** are built to provide convenient settlement of marketing material for trade fairs, where 2" tube truss is commonly accommodated but lack of ideal accessories to use with. Display Couplers are just made to satisfy such demand.

Fabricated of burger coupler for 2" tube system, It is featuring light weight and sturdy profile, covering up wide ranges of trade show's demand, quick settlement and less tool required. It also helps your booth up with refreshing looks in chic and stylish design.

### 1 Panel Clamp / KCP-901-PC

For gripping material up to 0.8mm thickness, rendering a handy and easily fixing method for holding materials.



### 2 Poster Hanger / KCP-901-PH

With tool-free combination of dia. 25mm banner rod (length 61cm) and hex screw, poster can be conveniently demonstrate. Rig the poster anywhere 2" tube is available.






### 3 Catalogue holder / KCP-901-CH



Combined with L-shape rack, turning this to be a robust and portable catalogue shelf on the go. 25cm (W) x 20cm (D) x 25cm (H).

### Order Number

-  **1** KCP-901-PC / PANEL CLAMP for gripping material up to 0.8mm thickness.
-  **2** KCP-901-PH / POSTER HANGER with dia.25mm banner rod (rod length 61cm).
-  **3** KCP-901-CH / CATALOGUE HOLDER with book shelf (25cm / W x 20cm / D x 25cm / H).