

## **S300TW SOFTPANEL USER MANUAL**

Thanks for choosing the S300TW SOFTPANEL . This is the innovative LED application for professional lightings. This unit is used aluminum alloy structure,compact and fashion design,elegant,easy to install.With 6 Colors LED SOURCE. With the reasonable LED layout, it made the lighting more even, pure mixing color and large area color rendering. It can create the most brilliant lighting effect. Except DMX control, it still have the powerful RDM control technology. Also with the manual color temperature selection.



### **I M P O R T A N T   N O T I C E !**

THERE ARE NO USER SERVICEABLE PARTS INSIDE THIS UNIT.  
DO NOT ATTEMPT ANY REPAIRS YOURSELF; DOING SO WILL VOID YOUR  
MANUFACTURER'S WARRANTY. DAMAGES RESULTING FROM MODIFICATIONS TO  
THIS FIXTURE AND/OR THE DISREGARD OF SAFETY INSTRUCTIONS AND  
GUIDELINES IN THIS MANUAL VOID THE MANUFACTURER'S WARRANTY AND ARE  
NOT SUBJECT TO ANY WARRANTY CLAIMS AND/OR REPAIRS.

## **Technical Specifications:**

### Optic

- 6 colors LED
- Beam angle: 110°
- Average lifetime: ≥50000 H

### Color

- Color calibration system, color temperature adjustable (1800k-10000k)
- Can create unlimited movement feeling and infinite color changes
- CRI≥90

### Effect

- 3 built-in program effect for option
- Fast electric strobe 1 ~ 25 Hz
- Dimmer modes: 2
- Dimmer curves: 4

### Control and Program

- DMX Channel mode: 3 channel mode
- Protocol: DMX512, RDM
- Data connector: 3PIN XLR DMX input/output
- Display: OLED display

### Software

- Software updated: via USB signal to update software, more convenient and faster
- Silent fan, intelligence adjust speed
- Auto temperature control when overheating, make sure LED life time longer

### Power consumption

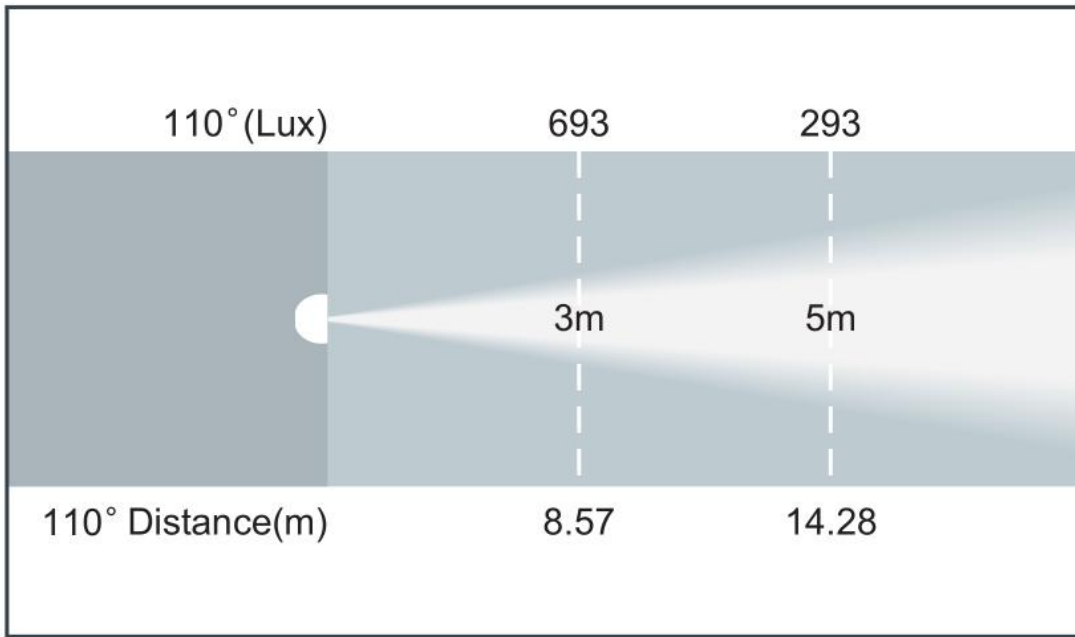
- Voltage: AC 100V~240V 50/60Hz
- Max power consumption: 260W

### Size and weight

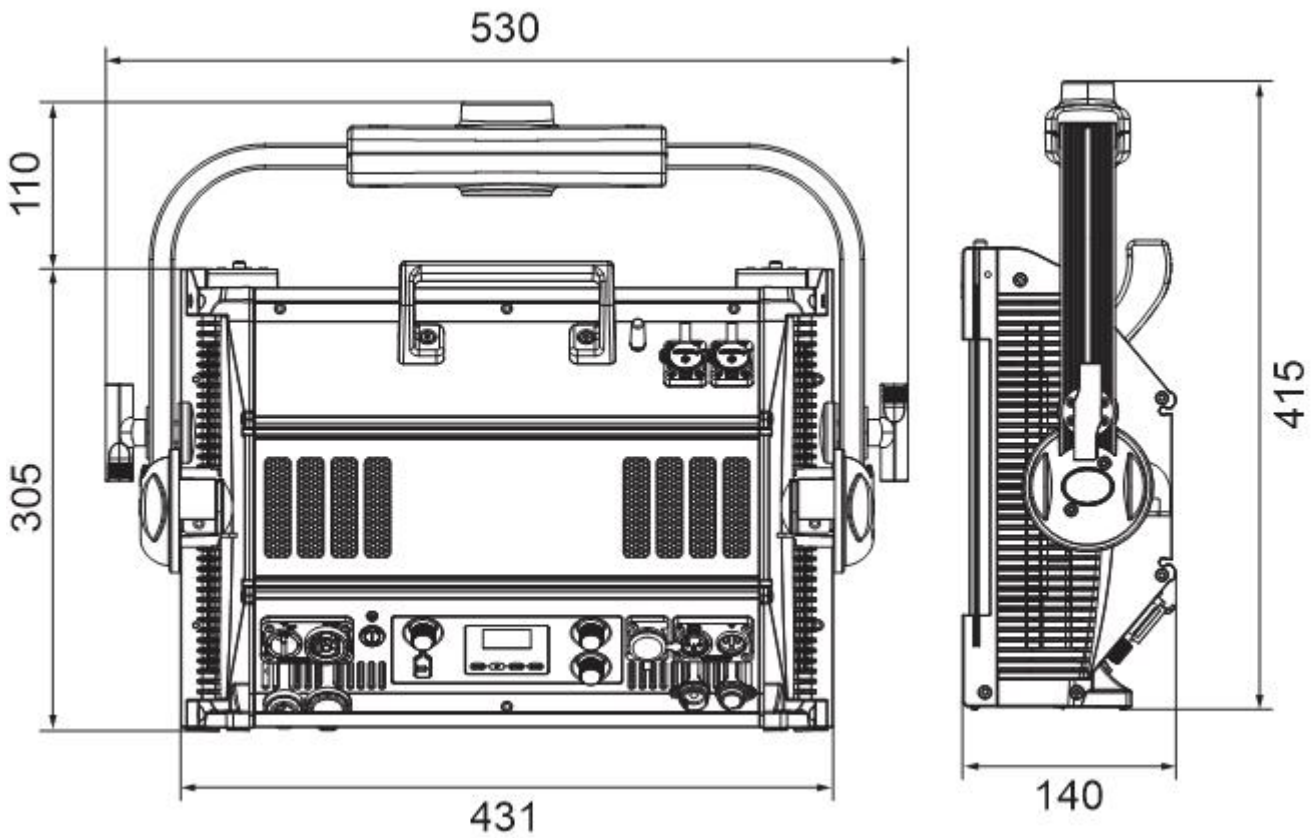
- Size: 530\*140\*415mm

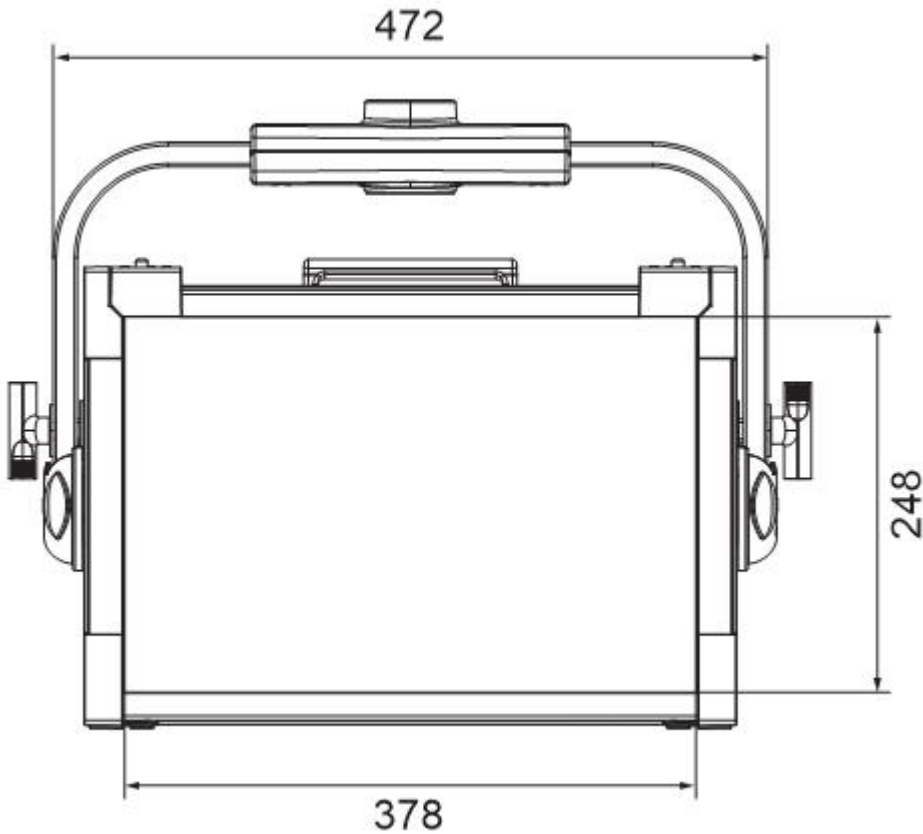
### Other

- IP rating: IP 30
- Work environment: -5°C~45°C
- NW: 16kg



## DIMENSIONAL DRAWINGS





### RDM Template

Label:	S300 Soft Panel
Model:	S300 Soft Panel
Manufacturer:	CKC
Manufacturer ID:	0x062B
Device ID:	1213 xxxx(latter 4 digital is set manually)
DMX Start Address:	001
DMX Personality:	001: 03CH
	002: 06CH
	003: 13CH
Software Version	V1.01

## Sheet 1 : Display menu

Default setting	the default setting which is highlighted in gray color.
Boot display	Update Wait... S300 Soft Panel Ethernet...

Interface show	ADDR:001			
MENU Address	Set ADDR 001	001-xxx		
MENU Mode	3CH、6CH、13CH			
MENU Function	NO DMX	Hold/Black/ Program		
	LCD.Set	Display	ON/OFF	30S screen saver setting Display menu button lock function No dmx it will flash. Screen 180° flip
		Key Lock	ON/ON1/OFF	
		Flash Inverse	ON/OFF OFF/ON	
	Temp. C/F	C F	Temp. Unit: °C/°F	
	Dim Mode	Standard Stage TV Architec Theatre Stage2		
	Disp.Set	ADDR Disp.CH	Dimmer Fine Strobe ...	
	Fan	Auto High Low		
	Power	Standard Battery		
	Dim Curve	LINEAR SQUARE INV.SQ S-CURV		
Frequen	900HZ,1000HZ,1100HZ,1200HZ,1300HZ,1400HZ,1500 HZ,2500HZ,4000HZ,5000HZ,10kHz,15kHz,20kHz,25k HZ			
Network	Universe IP Subnet Protocol	0-255 000.000.000.000 000.000.000.000 ArtNet/KlingNet		

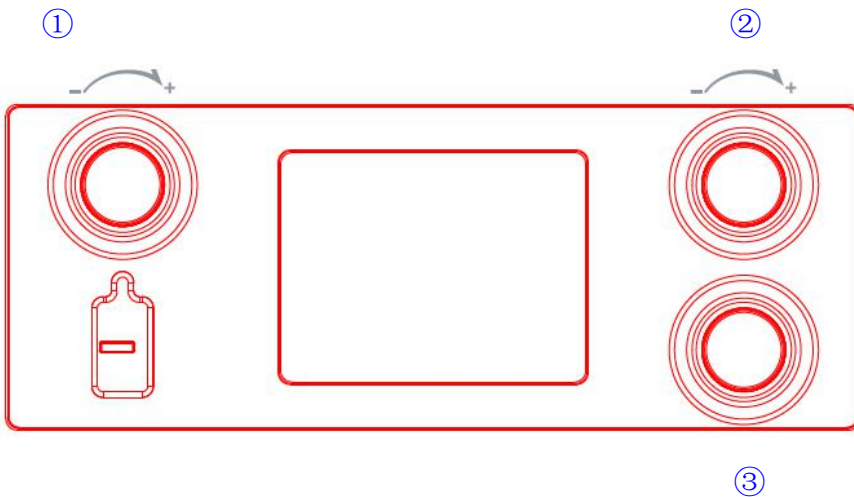
	Net	ON/OFF			
	Unlink	Yes/No			
	FLY-Switch	ON/OFF			
	USB	ON/OFF			
	MasterSW	ON/OFF			
	Defaults	Reset? / Cancel			
Program	Speed	01~99			
	Dimmer	000~255			
	Color	STATIC	STR 000-255 Red/Green/Blue/White/Lemon/Cyan/RG/RB/		
			CHANG 15	STR 000-255	
		CHANG 30	STR 000-255		
		FADE	STR 000-255		
	Macros	00~63			
	CCT	2500K-10000K 4300K			
	HSI				
	Slave	Off/Slave			
Info	TimeInfo	Current	Current fixture running time (H)		
		Total	Fixture total running time(H)		
		Last	Clear last fixture running time(H)		
		Password Clear	Clear 0 (Password=050) ON/OFF		
	TempInfo	LED Temp			
Err. Info	None				
ModelInf	Soft Panel				
Software	V1.0.1				
Manual	Strobe Dimmer...				
Calibrat	-Password- Red,Green,Blue,White.....		Calibration password=050		

### **DMX channel mode:**

HSI	8Bit	16Bit	Function	Values	
	1	1	Red	000-255	0%-100%

	2	2	Green	000-255	0%-100%	
	3	3	Blue	000-255	0%-100%	
	4	4	Warm White	000-255	0%-100%	
	5	5	Lime	000-255	0%-100%	
	6	6	Cyan	000-255	0%-100%	
	7	7	Strobe	<b>Shutter, Strobe:</b>	<b>STROBE</b>	
				0-31	LED OFF	
				32-63	LED ON	
				64-95	Strobe slow to fast	
				96-127	LED ON	
				128-159	Pulse strobe slow to fast	
				160-191	LED ON	
				192-223	Random strobe slow to fast	
	224-255	LED ON				
	8	8	Dimmer	000-255	0-100%	
		9	Dim Fine	000-255	0-100%	
		10	CCT	000 001-255	idle CCT from 2500K-10000K	
		11	GReenPoint	0	Idle	
				1-127	Full Minus Green to Neutral	
				128	Neutral White	
				129-255	Neutral to Full Plus Green	
		12	DimMode	0 - 20	Standard (default)	Dim mode
				21 - 40	Stage	
				41 - 60	TV	
				61- 80	Archictural	
				81- 100	Theatre	
				101- 255	From Menu Default	
		13	<b>Contral</b>	0 -100	idle	
				<b>Change Refresh Rate (Hz)</b>		
				101 - 105	900	
				106 - 110	1000	
				111 - 115	1100	
				116 - 120	1200 (default)	
				121 - 125	1300	
				126 - 130	1400	
				131 - 135	1500	
				136 - 140	2500	
				141 - 145	4000	
				146 - 150	5000	
				151 - 160	10000	

				161 - 165	15000	Control channel
				166 - 170	20000	
				171 - 175	25000	
				175-200	idle	
				<b>Dimmer Curves</b>		
				201-210	Dimmer Curve Linear (default)	
				211-220	Dimmer Curve Square	
				221-230	Dimmer Curve Inverse Square	
				231-240	Dimmer Curve S-Curve	
				241-255	idle	
1				Hue	0-100%	
2				Saturation	0-100%	
3				Intensity	0-100%	



### **The potentiometer function adjustment explanation:**

- 1: When Program is set to CCT mode, knob 1 is for brightness adjustment, knob 2 is for color temperature adjustment, knob 3 is for GreenPoint adjustment.
2. When Program is set to HSI mode, knob 1 is for brightness adjustment, knob 2 is for color adjustment, knob 3 is for saturation adjustment.
3. (1). When Program is set to STATIC function on the Color mode, knob 1 is for brightness adjustment, knob 2 is for static adjustment, knob 3 is for strobe adjustment.  
 (2) When Program is set to CHANG15/30/FADE function on the Color mode, knob 1 is for brightness adjustment, knob 2 is for speed adjustment, knob 3 is for strobe adjustment.
4. When Program is set to Macro mode, knob 1 is for brightness adjustment, knob 2 is for macros adjustment, knob 3 is for strobe adjustment.