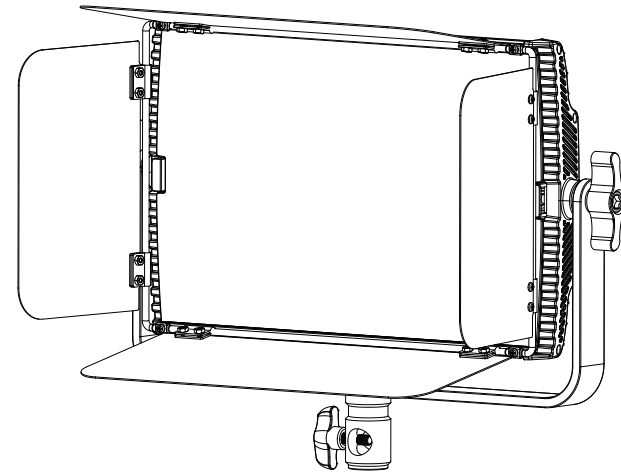


● Warning and Notes

- 1.The environment should be kept dry and ventilated when using the light.
- 2.Please do not let the device be exposed to rain or moisture, to avoid circuit problem.
- 3.Please do not use the light with over- rated voltage.
- 4.It's normal the fixture will be a little hot when working.
- 5.During transportation and installation process, please do not hit against other items, or else it may cause deformation to the lamp shade and damage to the light.
- 6.Please do not directly look at the light bulb with naked eyes when the light is on.
- 7.Please do not place the light near by such as alcohol or gasoline and other flammable or volatile solvents.
- 8.Please use the soft dry cloth to clean the light. You can wash with a cloth with some neutral detergent to remove the dirt that is difficult to remove, and then dry with a soft cloth.
9. Keep the light out of reach from children.
- 10.Do not disassemble equipment. Touch the product's internal part could result in injury. In the event of malfunction, the product should be repaired only by a qualified technician.
11. Please cut off power when the light isn't used for long time.
12. Please note the precautions, or could result in injury.
13. Orange color Slice Used for for color temperature 5600K Conversion 3200K, but will reduce thecolor temperature and exponential.



SBL 60W Softlightpanel, tunable white SKU: 155086



● Product Information

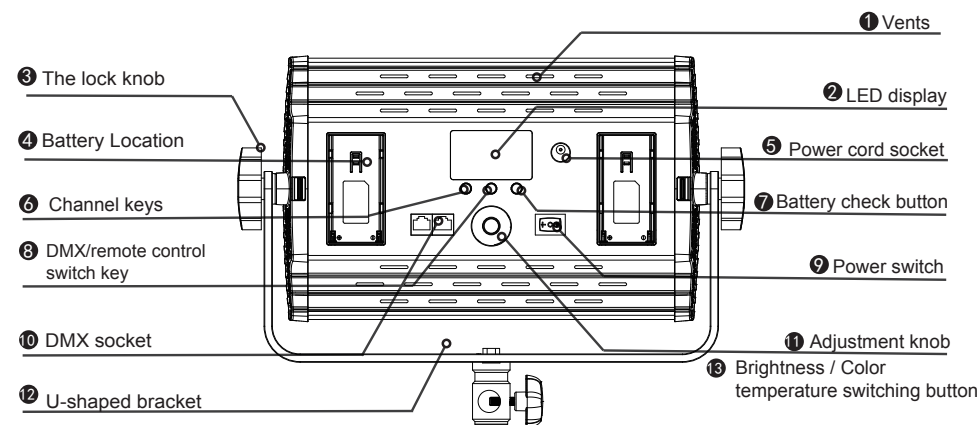
Thank the choose and buy our products. This LED studio light is made up of 600 star LED high quality output equivalent to 60W power LED lamp bead composition. LED lamp bead produce less heat, this product design lamp bead highlight can make heat faster, avoid damage caused by the overheating of the LED lamp bead, increase the service life of LED lights.

This product shell is made of high quality aviation aluminum manufacturing, and smooth appearance, light weight, used for a long time not deformation, one-piece aviation aluminum panel design. Our products are free to adjust the brightness (10% ~ 100%) (double adjustable) are free to adjust the color temperature, can be 2.4 G wireless remote control dimmer, convenience for the remote.

● Specifications

Model	155086
Output Power	60 W
Luminous Flux	6000LM
LED Quantity	600 PCS
Color Temperature	3200-5600(4400K) Continuous adjustment
Light Source	(0.2W SMD LED)
Color rendering index	≥95
Dimmer	10%-100%
Remote Control	99 channels 2.4G wireless remote control
Remote control distance	>50M
DMX512 dimmer	YES (RJ45 interface)
Lithium Battery Type	NP-F750/NP-F960*2
DC power input	DC13-19V
Adapter	DC15V 4A
size	302*191*42mm

● Overview



- ① Vents
- ② LED display
- ③ The lock knob
- ④ Battery Location
- ⑤ Power cord socket
- ⑥ Channel keys
Press the "CHANNEL", the available numerical adjustment knob to adjust the wireless remote control CHANNEL or DMX512 channel.
- ⑦ Battery check button
In situations where only fitted battery , press the "BATTERY" key, can check the BATTERY electricity.
- ⑧ DMX/remote control switch key
Press "DMX / 2.4 G", when the "2.4G/DMX" corresponding Indicator light, At this time only DMX controller to control. Press "DMX / 2.4 G", when the "2.4G" corresponding Indicator light is off, At this time can use 2.4 G remote control or manual control control panel.
- ⑨ Power switch
Press "I" direction for batteries power , according to the "O" direction to shut down, according to Press "II" adapter power.
- ⑩ DMX socket
After RJ45 interface connection, can support the DMX512 protocol control computer control.
- ⑪ Adjustment knob
In different mode, the can be adjusted brightness (increase or decrease) percentage, color temperature Numerical.

Brightness / Color temperature switching button
Press "DIMMER/COLOR", when the "DIMMER" corresponding Indicator light bright, Available adjust knob to adjust the brightness.
Press "DIMMER/COLOR", when the "COLOR" corresponding Indicator light bright, Available adjust knob to adjust the Color temperature.
- ⑫ U-shaped bracket